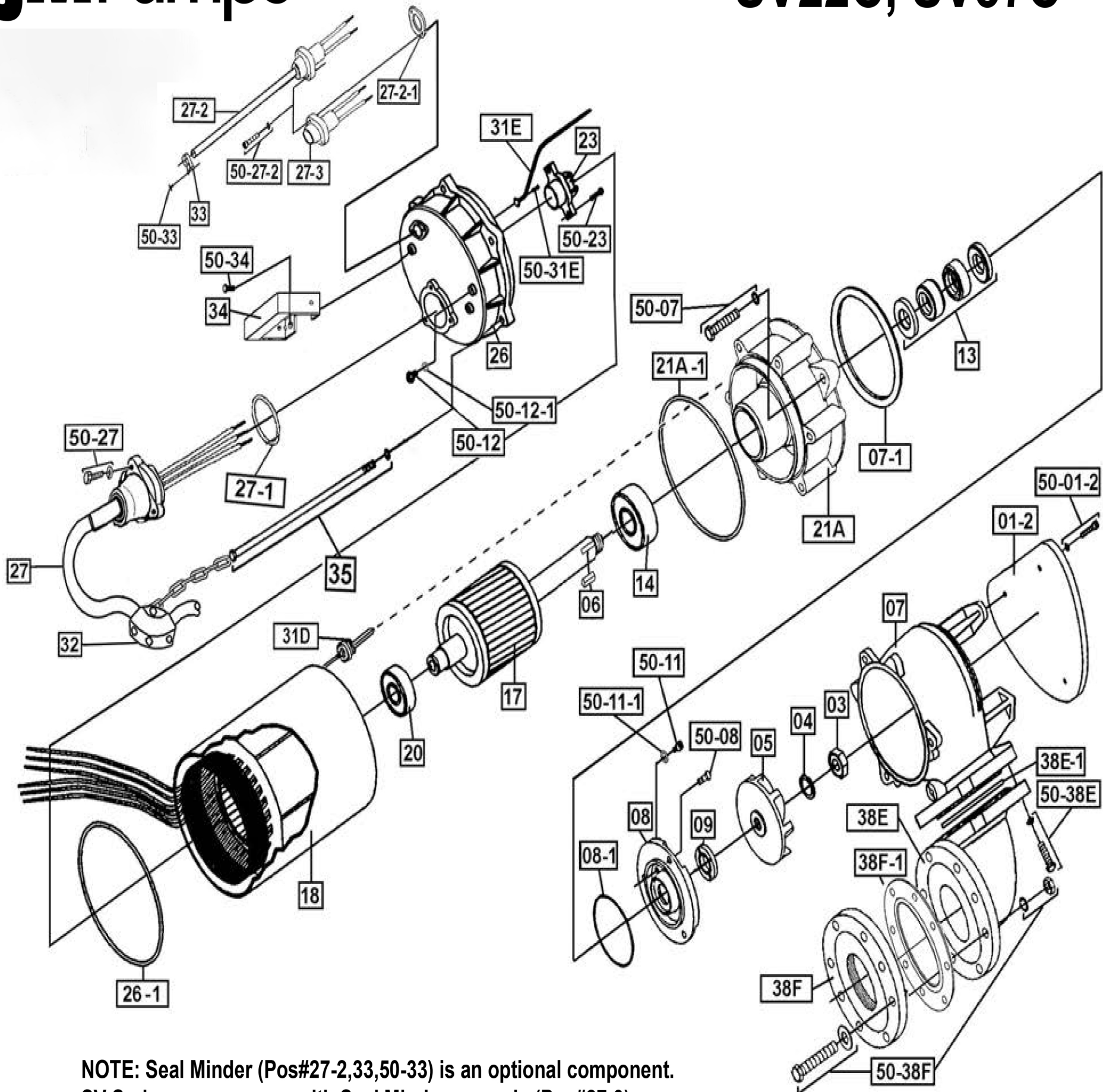
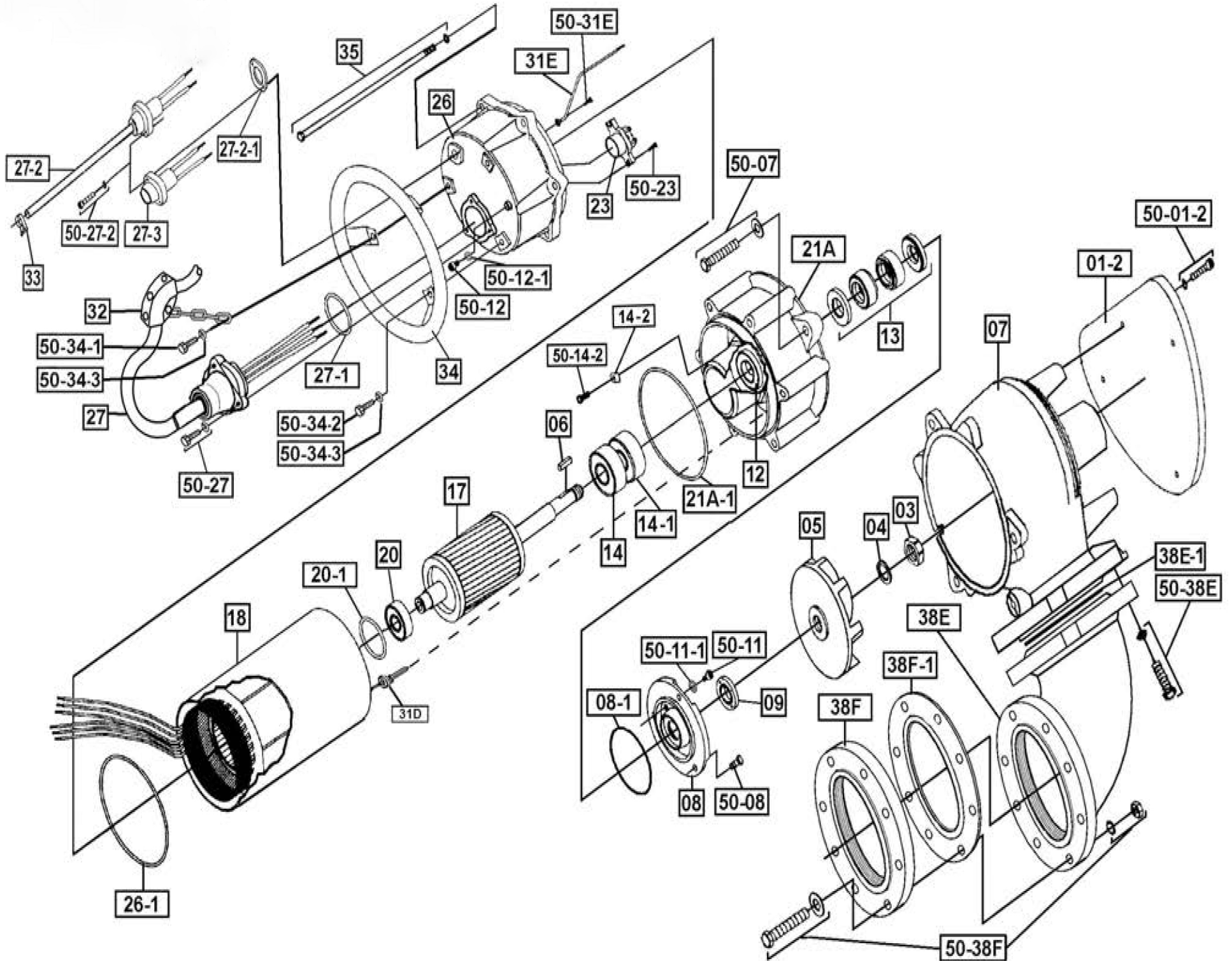


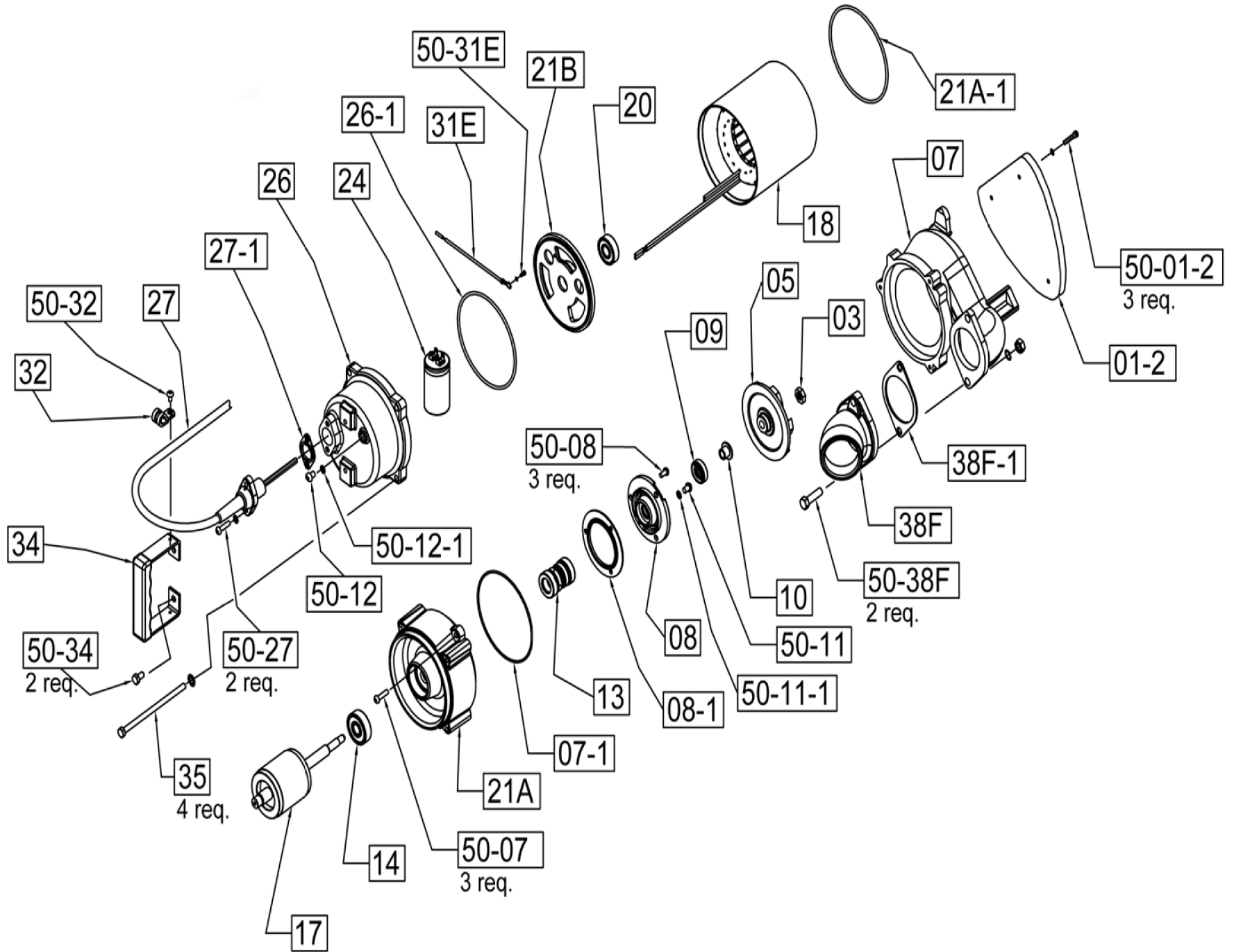
NOTE: Seal Minder (Pos#27-2,33,50-33) is an optional component. SV Series pumps come with Seal Minder cap only (Pos#27-3)

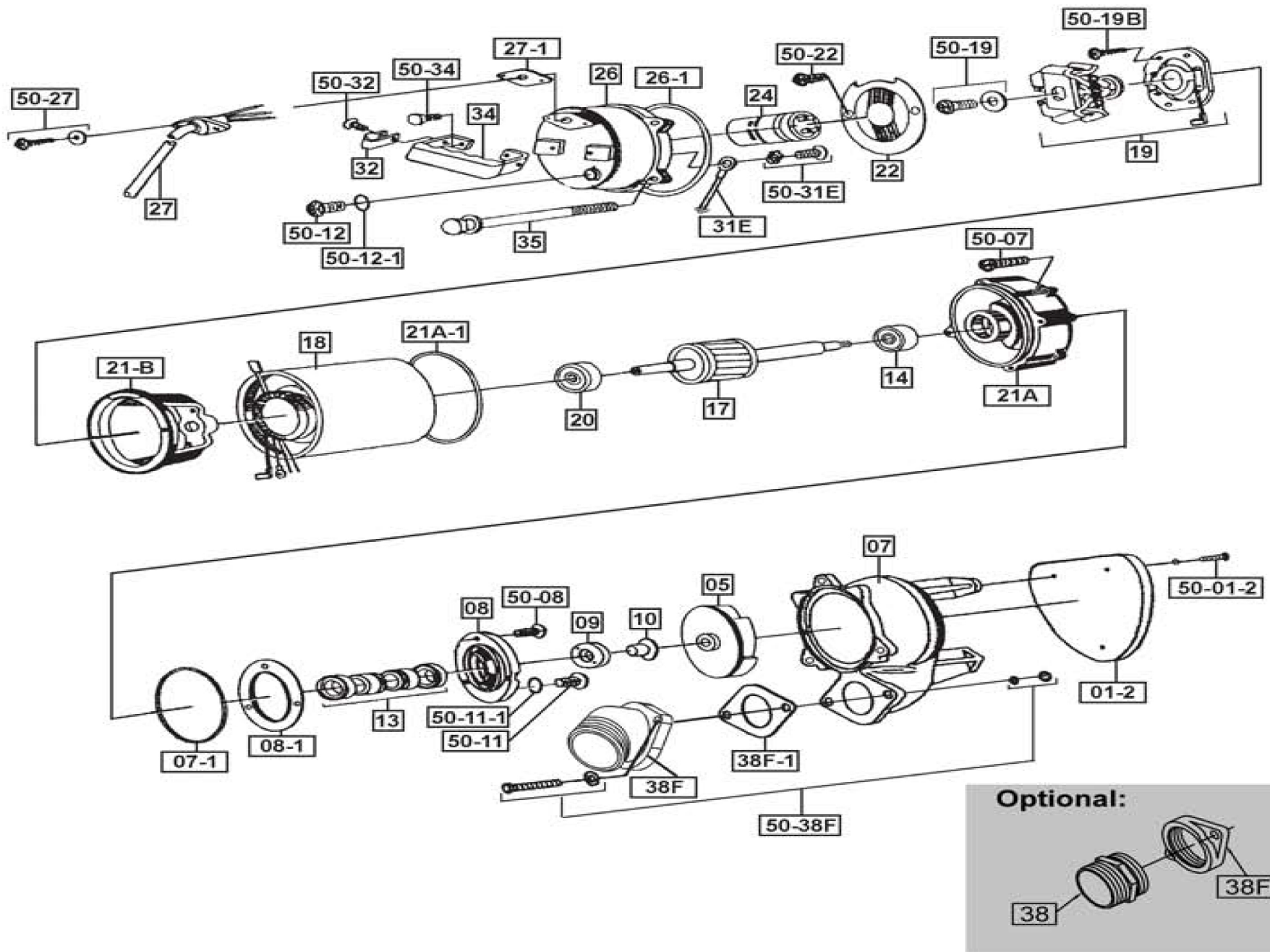


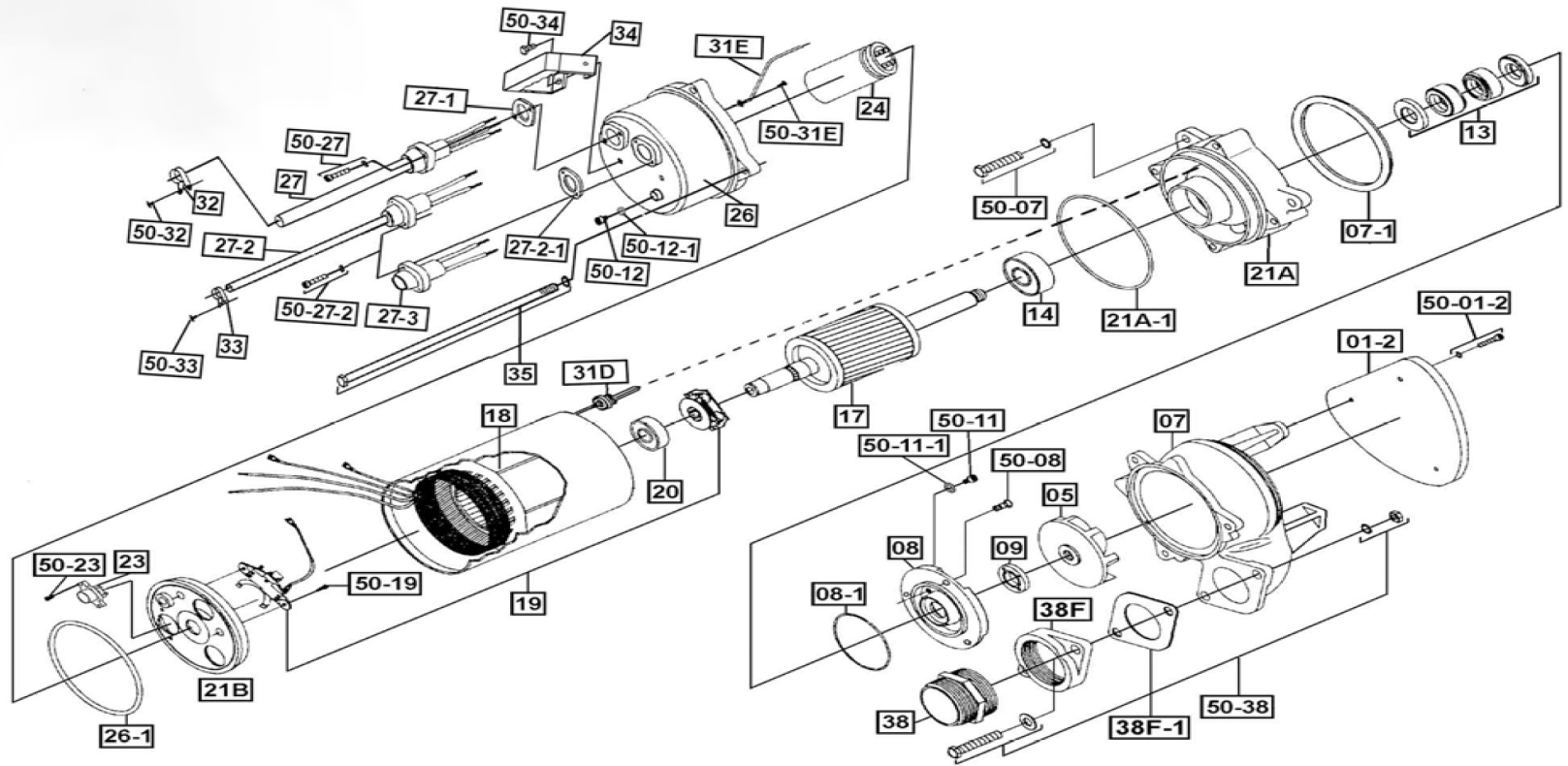
NOTE: Seal Minder (Pos#27-2,33,50-33) is an optional component.
 SV Series pumps come with Seal Minder cap only (Pos#27-3)



NOTE: Seal Minder (Pos#27-2,33,50-33) is an optional component.
 SV Series pumps come with Seal Minder cap only (Pos#27-3)

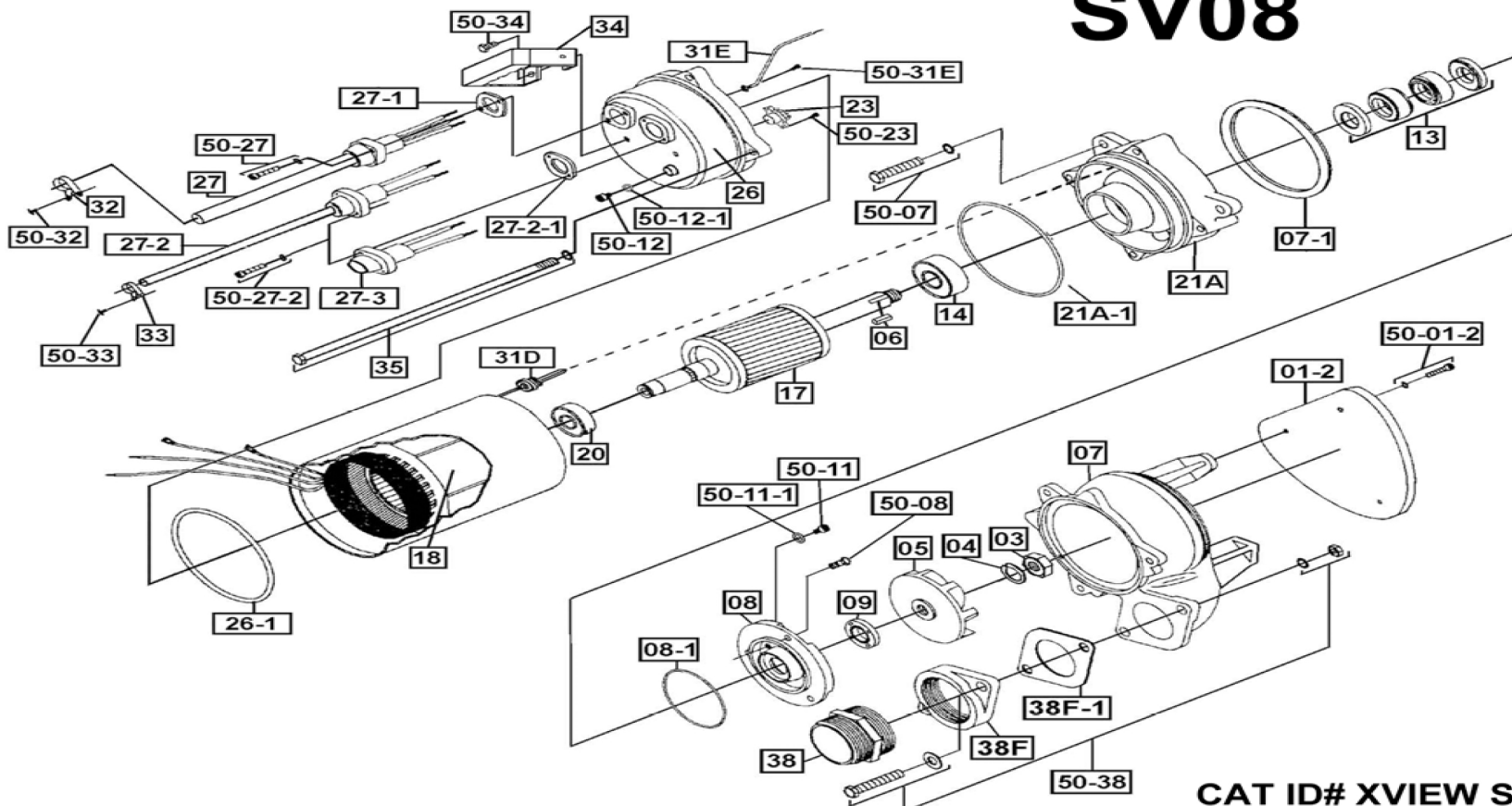


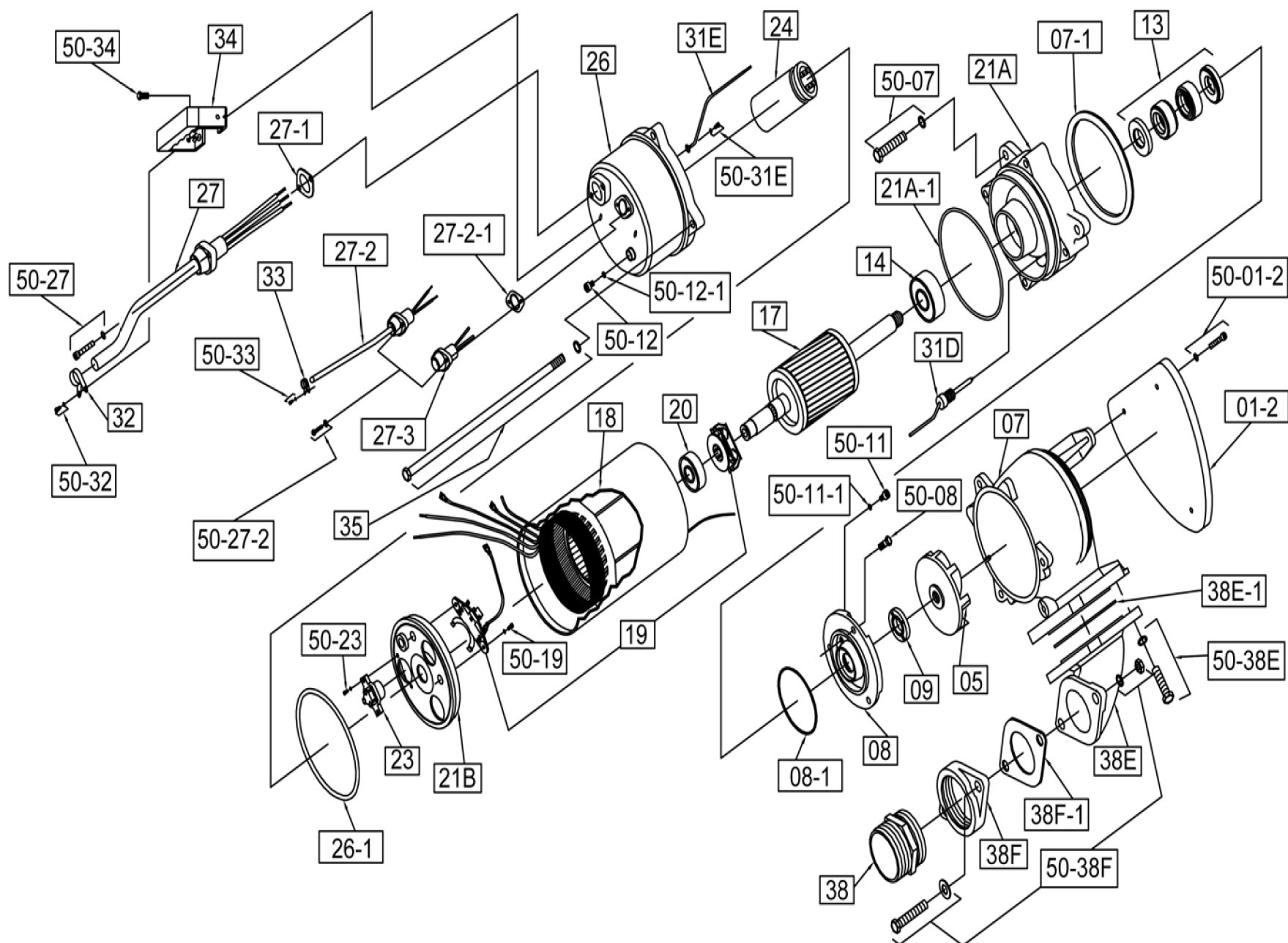




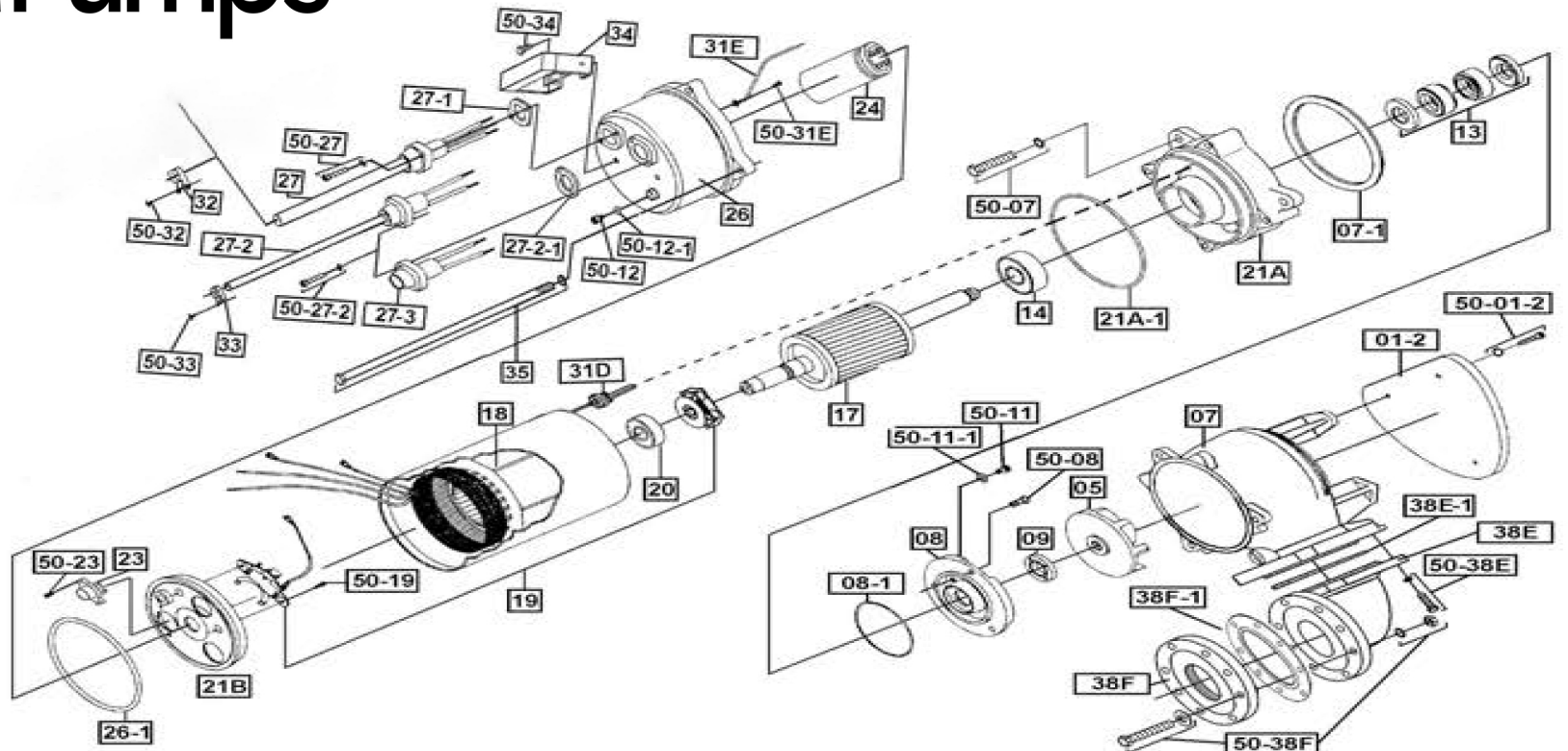
**NOTE: Seal Minder (Pos#27-2,33,50-33) is an optional component.
SV Series pumps come with Seal Minder cap only (Pos#27-3)**

SV08





**NOTE: Seal Minder (Pos#27-2,33,50-33) is an optional component.
SV Series pumps come with Seal Minder cap only (Pos#27-3)**



**NOTE: Seal Minder (Pos#27-2,33,50-33) is an optional component.
SV Series pumps come with Seal Minder cap only (Pos#27-3)**

